

SERVICE PARTS AND ACCESSORIES LETTER

STINSON DIVISION
CONSOLIDATED VULTEE AIRCRAFT CORPORATION
WAYNE, MICHIGAN

TO: Distributors and Direct Factory Dealers

LETTER NO.: 7

TITLE: Fram Oil Filters

PAGE 1 OF 2

DATE: May 7, 1947

Gentlemen:

As another assist to you in your program of selling the Stinson Voyager, we are making available an engine oil filter kit as an accessory item. This equipment is particularly desirable under adverse terrain condition and we feel sure it will be welcomed by many Stinson owners.

Two types of kits have been designed for the Voyager and Flying Station Wagon depending on the serial number of the airplane.

For airplanes serial 108-1 through 108-1471, kit bearing part number 108-6922000-0 should be used.

For airplanes serial 108-1472 and up, kit bearing part number 108-6922000-2 should be used.

Prices on filter kits and replacement filter elements are as follows:

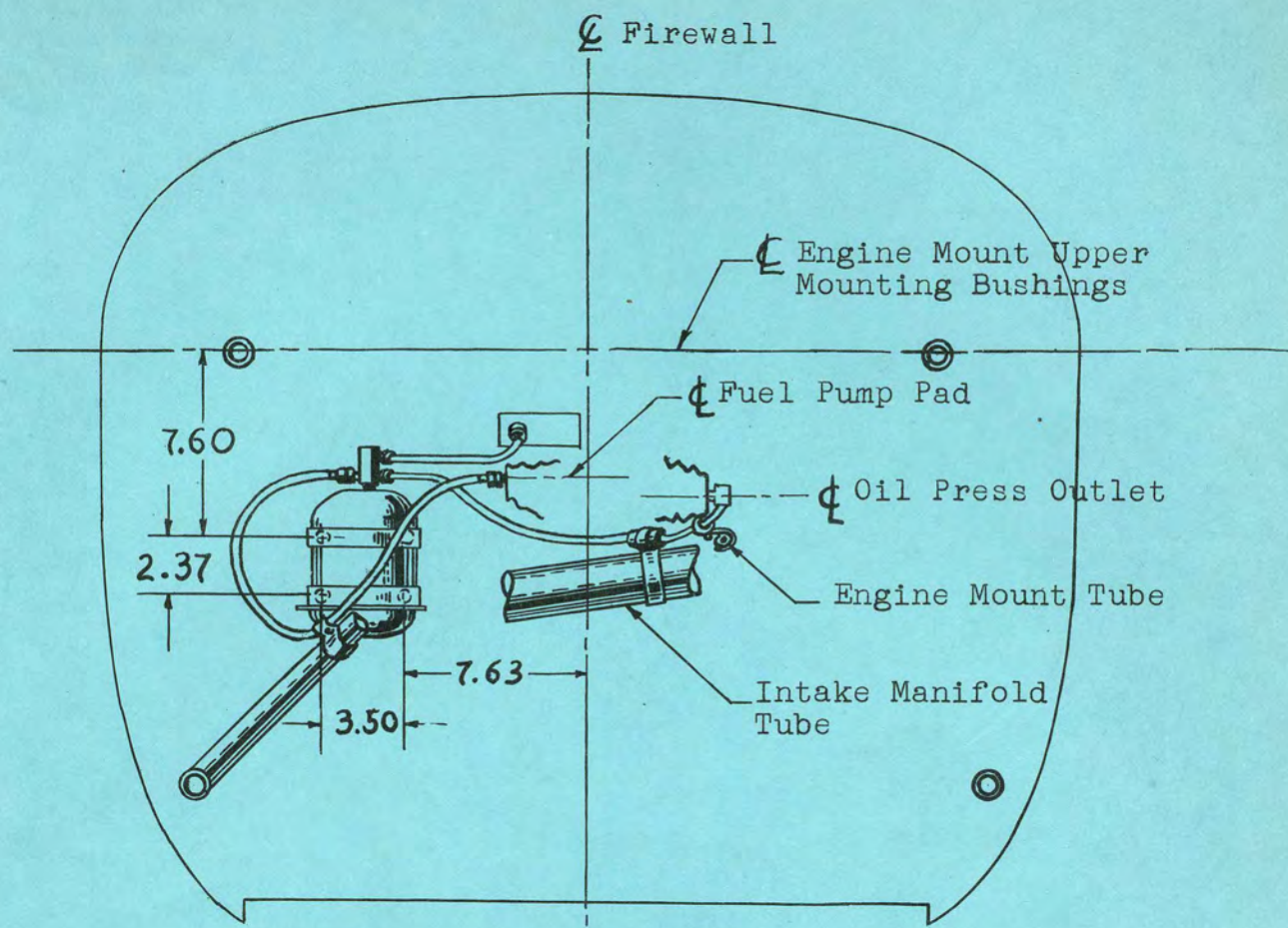
108-6922000-0	Oil Filter Kit	\$14.85
108-6922000-2	Oil Filter Kit	12.75
PB-5	Filter Element	4.00

Discounts to distributors are $33\frac{1}{3}\%$ in quantities of one to five and 40% for six or more.

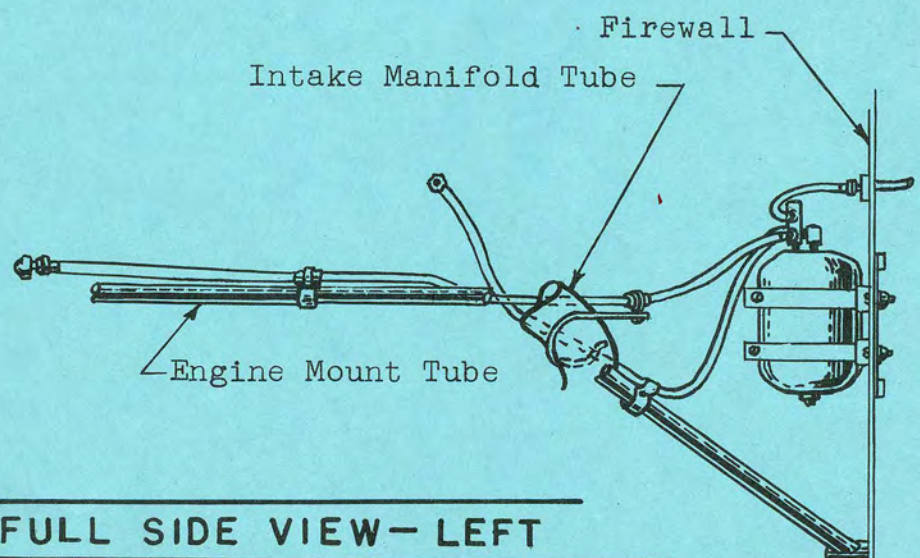
Discounts to direct factory dealers are $28\frac{1}{3}\%$ in quantities of one to five and 35% for six or more.

We recommend that distributors extend their dealers $18\frac{1}{3}\%$ and 25% in the above quantities.

With the filter installed a decrease of about three pounds p.s.i. oil pressure may be experienced.



FULL FRONT VIEW



FULL SIDE VIEW - LEFT

George Martin
 George Martin
 Service Manager